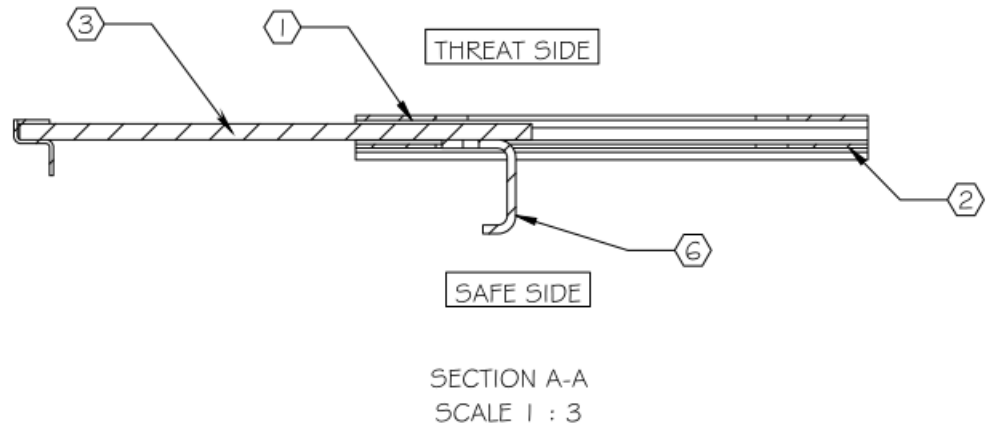
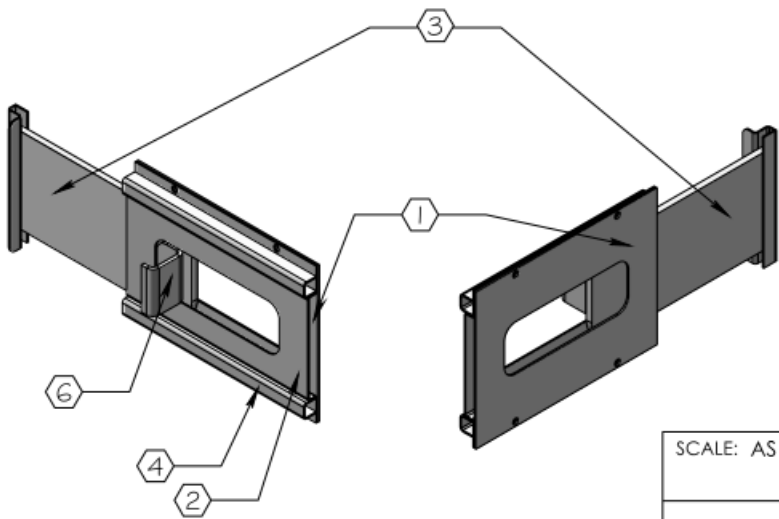
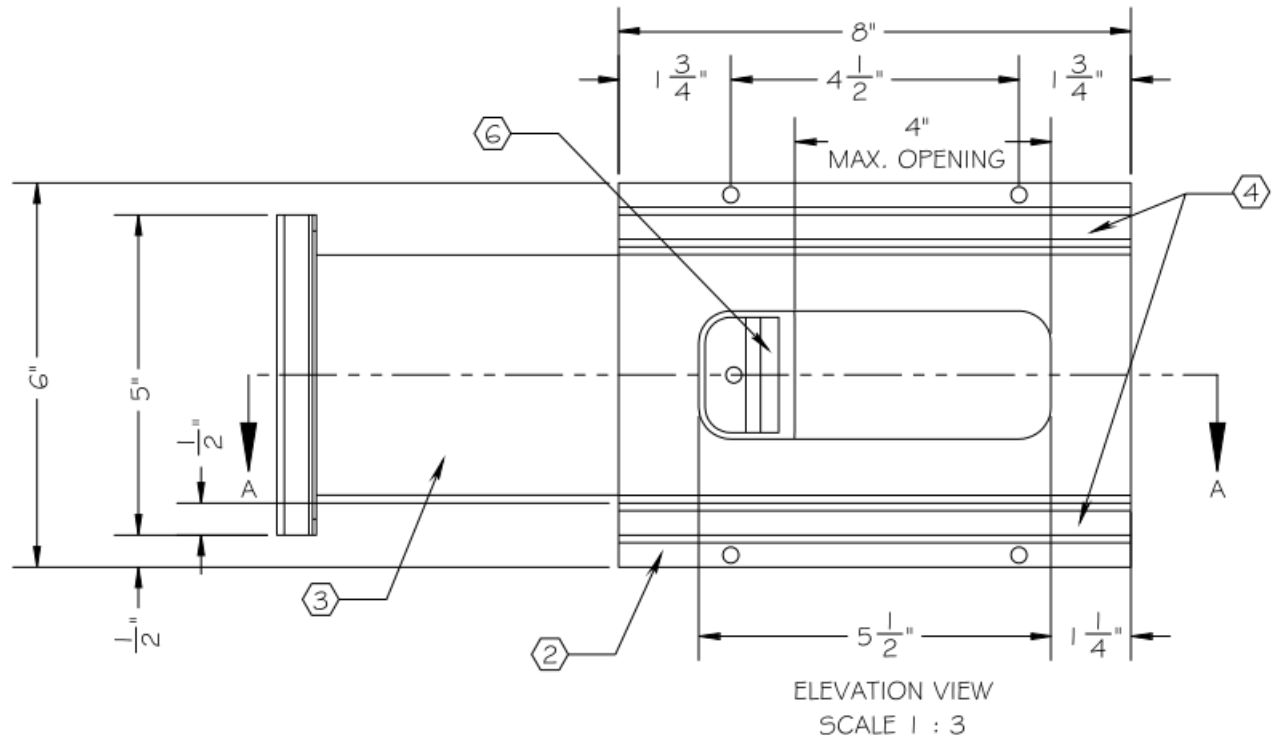


NOTES:

- ① PRIME PAINTED STEEL BASE
- ② PRIME PAINTED STEEL CASING
- ③ BALLISTIC STEEL OR COMPOSITES
- ④ 1/2" X 1/2" X 12" SQUARE STEEL TUBES
- ⑤ CLOSURE SPRINGS (NOT SHOWN)
- ⑥ LATCH



SCALE: AS NOTED

TITLE: SLIDING GUNPORT

MODEL: SSD-3BR-SGP

SHEET NUMBER: 1 OF 1

UNLESS OTHERWISE SPECIFIED:
DIMENSIONS ARE IN INCHES
TOLERANCES:
FRACTIONAL: ±1/16"
ANGULAR: ±1°
TWO PLACE DECIMAL: ±.01
THREE PLACE DECIMAL: ±.005



TEL 1-866-639-1507

EMAIL info@shieldsecuritydoors.com

WEB www.shieldsecuritydoors.com