

NOTES:

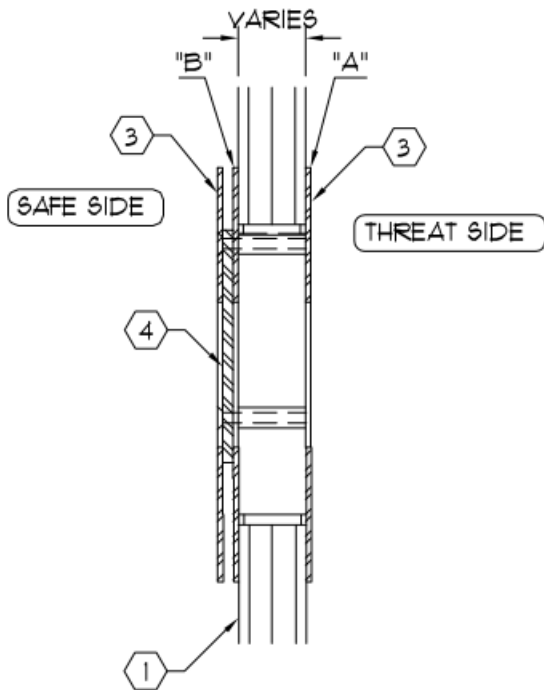
- ① GLAZING AS REQUIRED PER BALLISTIC OR FORCED ENTRY PROTECTION STANDARD
- ② THIS DIMENSION VARIES AS GLAZING VARIES
- ③ 12 GA. STAINLESS STEEL FACE PLATE
- ④ 1/4" THICK STAINLESS STEEL PIVOT PLATE
- ⑤ PIVOT (INSTALL AT TOP DEAD CENTER)
- ⑥ REMOVABLE LOCKING PIN
- ⑦ STOP
- ⑧ KNOB

INSTALLATION INSTRUCTIONS

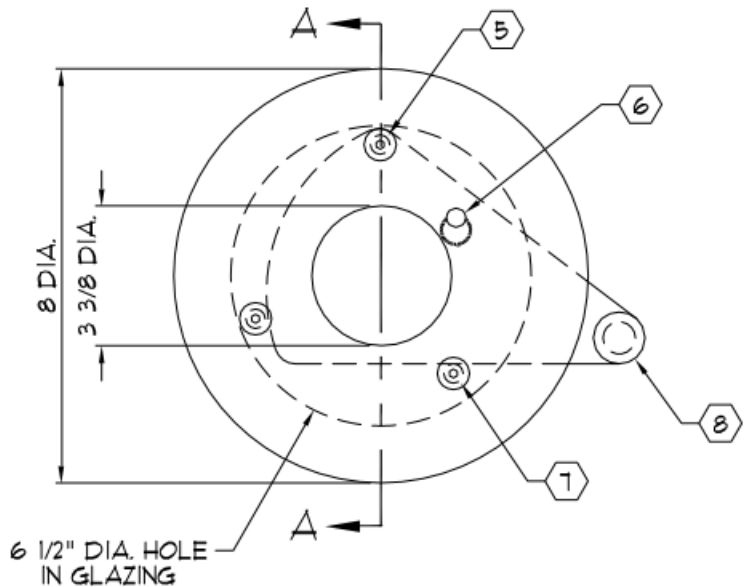
- 1- REMOVE PLATE "A" FROM REMAINDER OF ASSEMBLY BY REMOVING THREE 1/4" STAINLESS STEEL SCREWS.
- 2- TRIM CONCEALED SURFACE OF PLATE "A" WITH TREMCO 440 OR EQUAL, 1/6" THICK.
- 3- PLACE PLATE "A" CENTERED OVER OPENING WITH PIVOT SCREW POSITIONED AT TOP DEAD CENTER.
- 4- TRIM CONCEALED SIDE OF PLATE "B" WITH TREMCO AND PLACE CENTERED OVER HOLE WHERE HOLES LINE UP WITH WELD NUTS ON INSIDE OF PLATE "A".
- 5- INSTALL PIVOT PLATE OVER SPACER AT TOP DEAD CENTER.
- 6- INSTALL INTERIOR FACEPLATE AND SECURE WITH THREE 1/4" SCREWS.

CAUTION:

DO NOT OVERTIGHTEN AND NEVER ATTEMPT TO INSTALL ON AN AIR GAP GLAZING PRODUCT.



SECTION A-A



ELEVATION
(_ - REQUIRED)

REVISIONS				TEL 1-866-639-1507 EMAIL info@shieldsecuritydoors.com WEB www.shieldsecuritydoors.com		BALLISTIC LEVEL 3	
No.	DESCRIPTION	DATE					
			TITLE: SSD-3BR-PGP INSTALLATION		PROJECT NAME:		
			UNLESS OTHERWISE SPECIFIED ALL DIMENSIONS ARE IN INCHES		SCALE <u>NONE</u>	PROJECT No.	SHEET <u>1 OF 1</u>